



LT4UXX-41

2.95MM CYLINDRIC LAMP

Features

- * LOW CURRENT REQUIREMENTS
- * HIGH LIGHT OUTPUT
- * RELIABLE AND RUGGED
- * IC COMPATIBLE

Absolute Maximum Ratings at T_A=25°C

REVERSE VOLTAGE (<100 μA).....	GaAsP RED 3.0V, OTHER 5.0V
D.C. FORWARD CURRENT.....	30mA
PULSE CURRENT (1/10 DUTY CYCLE, 0.1 ms PULSE WIDTH).....	100 mA
OPERATING TEMPERATURE RANGE.....	-25°C TO +85°C
STORAGE TEMPERATURE RANGE.....	-25°C TO +100°C
LEAD SOLDERING TEMP. (1.6mm FROM BODY).....	260°C FOR 5 SEC.

Electrical/optical characteristics at T_A=25°C

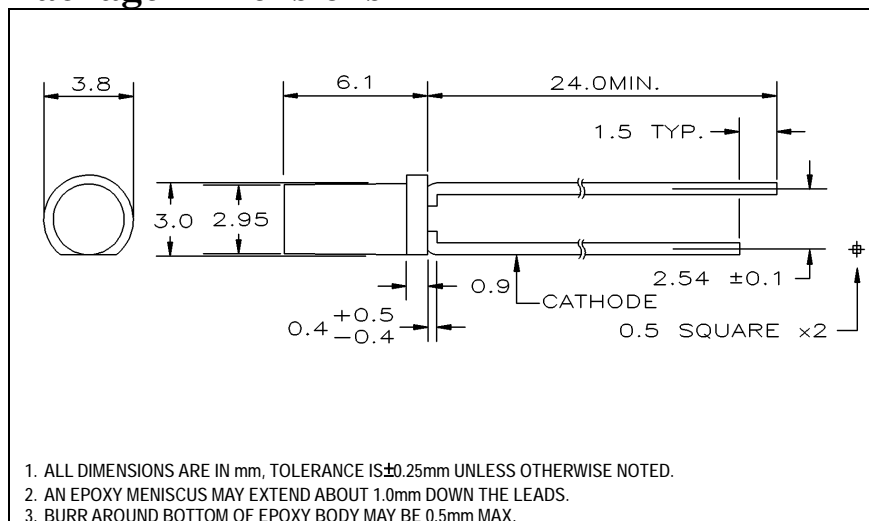
PART NUMBER		LED CHIP		LEN'S COLOR		PEAK WAVELENGTH @20 mA (nm)	FORWARD VOLTAGE @20mA(V)		LUMINOUS INTENSITY @20mA(mcd)		VIEW ANGLE 2θ _{1/2} (deg)
		MATERIAL	EMITTING COLOR				TYP.	MAX.	MIN.	TYP.	
LT4U11-41	LT4U12-41	GaAsP	RED	R.D	W.D	655	1.7	2.0	0.7	1.1	95
LT4U11G-41	LT4U12G-41	GaP	RED	R.D	W.D	700	2.1	3.0	1.1	1.8	95
LT4U21-41	LT4U22-41	GaP	GREEN	G.D	W.D	567	2.1	2.6	2.7	4.5	95
LT4U31-41	LT4U32-41	GaAsP ON GaP	YELLOW	Y.D	W.D	585	2.1	3.0	2.2	3.6	95
LT4U41-41	LT4U42-41	GaAsP ON GaP	ORANGE	O.D	W.D	635	2.1	3.0	3.1	5.2	95
LT4U41R-41		GaAsP ON GaP	ORANGE	R.D		635	2.1	3.0	3.1	5.2	95

- (1) LEN'S COLOR
 R.D.....RED DIFFUSED
 G.D.....GREEN DIFFUSED
 Y.D.....YELLOW DIFFUSED
 O.D.....ORANGE DIFFUSED
 W.D WHITE DIFFUSED

(2) SPECIFICATIONS ARE SUBJECT TO CHANGE WITHOUT NOTICE.

(3) ALL ABOVE COMPONENTS ARE CONSIDERED . DEVIATIONS FROM STATED SPECIFICATIONS WILL REQUIRE A NEW PART NUMBER BE ASSIGNED .

Package Dimensions



Radiation Pattern

