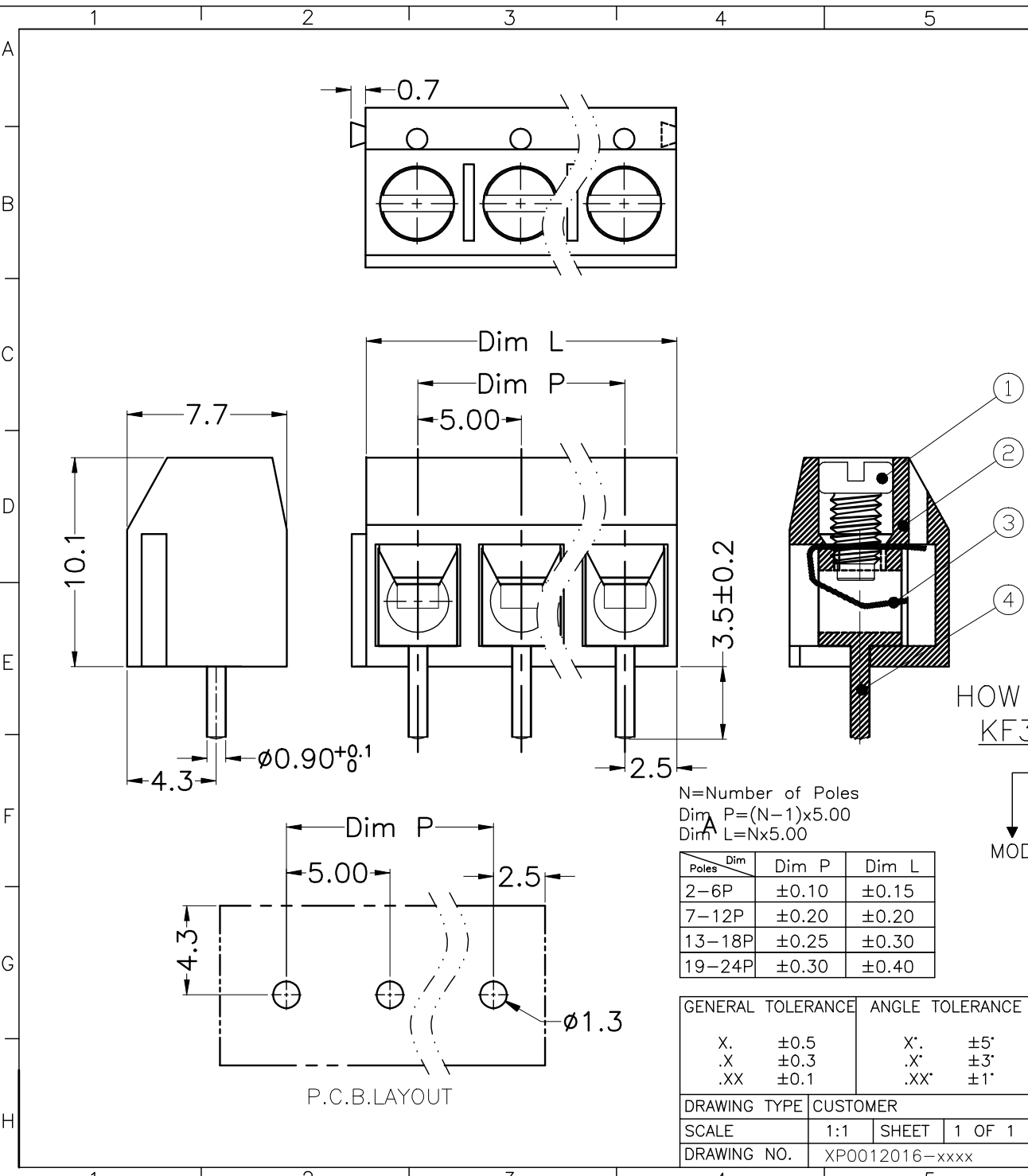


REV.	DESCRIPTION	DATE	DRAWN	APPROVED
A1	DWG.REL	2016/10/7	FANG	YANG

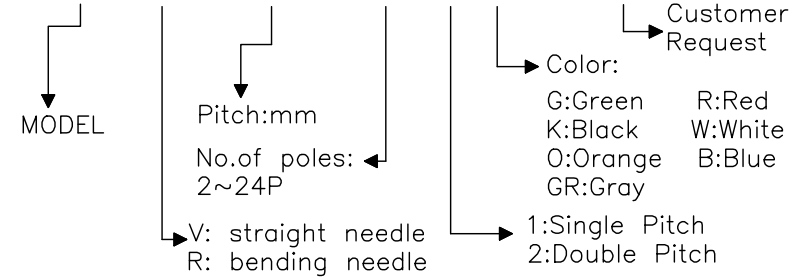


- Material
 - ①Screws : M2.5 steel, Zinc plated, “-” slot type
 - ②Housing : PA66, UL94V-0
 - ③Reed : Phosphor bronze, Ni plated or stainless steel
 - ④Pin header : Brass, Tin plated
- Electrical

UL	IEC
Rated voltage : 300V	250V
Rated current : 12A	17.5A
Insulation resistance: 500MΩ/DC500V	
Withstanding Voltage : AC2000V/1min	
Wire range: 22-14AWG 2.5mm ²	
- Mechanical
 - Operating temperature: -30℃~+120℃
 - Soldering temperature: 250℃±5/5sec
 - Torque: 0.4N.m (3.54Lb.in)
 - Strip length: 4.5-5mm

HOW TO ORDER

KF301 V -5.0-XXP-1 X-XXXXX



N=Number of Poles
 Dim P=(N-1)x5.00
 Dim L=Nx5.00

Poles	Dim P	Dim L
2-6P	±0.10	±0.15
7-12P	±0.20	±0.20
13-18P	±0.25	±0.30
19-24P	±0.30	±0.40

GENERAL TOLERANCE		ANGLE TOLERANCE	
X.	±0.5	X°	±5°
.X	±0.3	.X°	±3°
.XX	±0.1	.XX°	±1°

PROJECTION	TITLE
mm	KF301V-5.0-XXP
SHEET SIZE	SERIES
A4	KF301V

DRAWING TYPE	CUSTOMER		
SCALE	1:1	SHEET	1 OF 1
DRAWING NO.	XP0012016-xxxx		

DF 慈溪市凯峰电子有限公司
 KAI FENG ELECTRONIC CIXI KAIFENG ELECTRONIC CO.,LTD