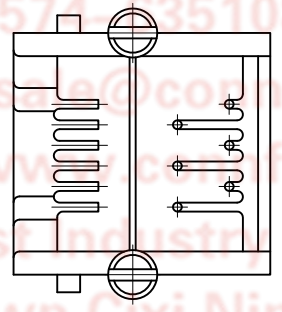
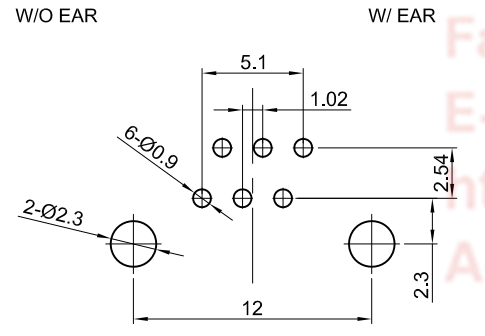
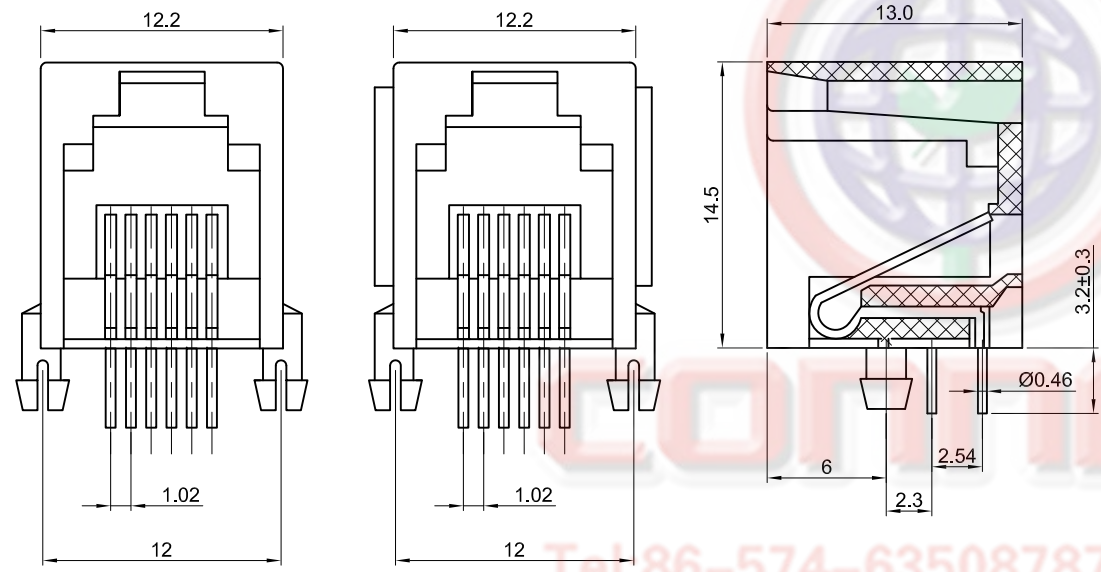


The information provided herein is from CONNELY Electronic Co., Ltd. and is confidential. Any disclosure to a party other than the recipient is prohibited. The intellectual properties and its rights contained herein, including but not limited to, trademarks, patents, copyrights, trade secrets, and technical know-how, are owned exclusively by CONNELY or its affiliates. Unauthorized use of this information in any format or manner. CONNELY may enforce its intellectual property rights at its own discretion; failures or delays to exercise such rights does not constitute a waiver of such rights.

1                      2                      3                      4                      5                      6                      7                      8

REV.	DESCRIPTION	DRAWN	CHECKED	APPROVED
A	NEW RELEASE	LL 06/26/06'		LJC 06/26/06'
D	DRAWING UPDATE	JLZ 09/16/19'		



- Notes:**
- Electrical Characteristics:**
    - Contact Resistance: 20mΩ Max.
    - Dielectric Withstanding Voltage: 500V AC(rms) For 1 Minute.
    - Insulation Resistance: 1000MΩ Min.
    - Current Rating: 1.5A.
    - Voltage Rating: 125V AC rms.
  - Environment Characteristics:**
    - Temperature: -40°C~+85°C.
  - Materials:**
    - Contact Material: Copper Alloy.
    - Contact Plating: Gold Plating Over Nickel.
    - Insulator Materials: PBT/Nylon, UL94-V0.
  - Product Number Code:**

DS1133-X X X X X X

- Ear Support  
S:W/ Ear  
X:W/O Ear
- Housing Materials  
P:PBT  
N:Nylon
- Housing Color  
A:Gray  
B:Black
- Contact Plating  
0:Gold Flash  
3:3u" Gold  
6:6u" Gold  
15:15u" Gold  
30:30u" Gold
- No.Of Contacts  
6:6P6C 4:4P4C 2:2P2C
- Connector Type  
S:Socket

GENERAL TOLERANCE		ANGLE TOLERANCE		PROJECTION		TITLE	PCB Jack 6 Positions W/O Shell Standard Type
X.	±0.60	X.	±5°	UNITS	mm	SHEET	1 OF 1
.X	±0.38	.X	±3°	SHEET SIZE	A4	SERIES	DS1133 SERIES
.XX	±0.25	.XX	±2°	<b>晨翔电子有限公司</b> <b>CONNFLY CONNELY ELECTRONIC CO. LTD</b>			
DRAWING TYPE		CUSTOMER					
SCALE		1:1	SHEET				
DRAWING NO.		C-DS1133-XXXXXX-D					

1                      2                      3                      4                      5                      6                      7                      8