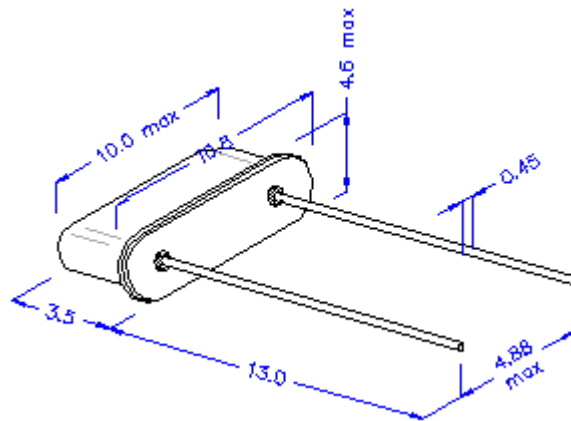




Preview of Crystal HC-49US

Part #: 4M194304FEFMSEKA-49S

- | | | |
|-----------------------|----|--------------|
| 1. Frequency | -- | 4.194304 MHz |
| 2. Holder Type | -- | HC-49US |



- | | | |
|--------------------------------------|----|----------------------|
| 3. Dimension (mm) | -- | |
| 4. Mode of Oscillation | -- | Fundamental |
| 5. Frequency Tolerance | -- | +/-30ppm at 25+/-3°C |
| 6. Load Capacitance, CL | -- | 32 +/-0.2pF |
| 7. Temperature Stability | -- | +/-30ppm |
| 8. Operating Temperature | -- | -20°C To +70°C |
| 9. Storage Temperature | -- | -40°C To +85°C |
| 10. Equivalent Resistance, Rs | -- | 120 Ω max |
| 11. Shunt Capacitance, Co | -- | 7 pF max. |
| 12. Drive Level | -- | 100μW max. |



TECHNICAL CRYSTAL (CHINA) LIMITED

德力高石英(中國)有限公司

Tel: (852) 2688 2033
Fax: (852) 2688 2031
E-mail: tic@tecko.com
<http://www.tecko.com>

Unit 750, Block F, Wah Lok Industrial Centre, 31-35 Shan Mei Street, Fotan, N.T., Hong Kong
香港新界火炭山尾街31-35號華樂工業中心F座7樓50室

- 13. **Insulation** -- 500 meg Ω min at DC100V +/-15V
- 14. **Leakage Test** -- No continuous air bubble formed in the warm water (80°C) in 5 minutes
- 15. **Shock Test** -- Frequency shift +/-5ppm & Rs +/-20% after test dropping from 50cm height onto wood with thickness of 2cm for 3 times
- 16. **Aging** -- +/-5ppm / year
- 17. **Measurement** -- 250B PI-Network
- 18. **Mark** -- TIC4.194L
- 19. **Package** -- Bulk
- 20. **Others** --

*** *End of Preview* ***

Confirmed & Approved by

Technical Crystal (China) Ltd