



Series 536 PLCC Test & Burn-in Zero Insertion Force Sockets

FEATURES:

- A choice of several pin count devices can be inserted without bending or otherwise damaging the legs, since no force is required to either insert or remove the component from the socket.
- Compatible with pick and place operations.
- Corner posts provide positive package registration.
- Socket accepts JEDEC Types MO-047, MO-052, and other ceramic, leadless or J-lead packages (shimms required).

SPECIFICATIONS:

- Socket body is black UL 94V-0 Glass-filled Polyphenylene Sulfide (PPS).
- Contacts are Beryllium Copper Alloy 172.
- Contact plating is 12 μ [.30 μ m] min. Gold per MIL-G-45204 over 50 μ [1.27 μ m] min. Nickel per QQ-N-290.
- Hardware is Stainless Steel.
- Contact current rating=1 Amp.
- Contact resistance=30 mOhms max. (initial).
- Insulation resistance=1000 MOhms min.
- Dielectric strength=700 VAC cont. for 1 minute.
- Self inductance=8.9 nH max. at 10 MHz.
- Operating temperature=-67°F to 338°F [-55°C to 170°C].
- Life cycle: 10,000 insertions minimum.

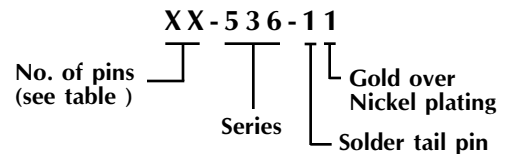
MOUNTING CONSIDERATIONS:

- See Data Sheet No. 10007.



Note: Aries specializes in custom design and production. In addition to the standard products shown on this page, special materials, platings, sizes, and configurations can be furnished, depending on quantities. Aries reserves the right to change product specifications without notice.

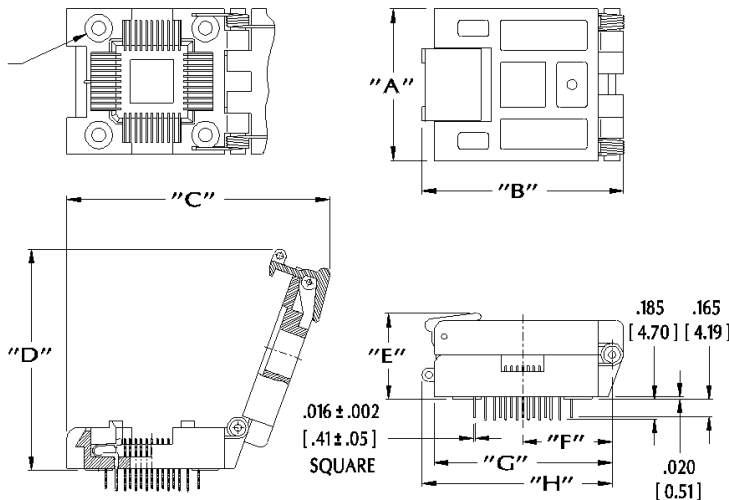
ORDERING INFORMATION



All tolerances $\pm .005$ [.13] unless otherwise specified

See Data Sheet No. 10007 for mounting considerations.

4X $\varnothing .126$ [3.20] THRU
 $\varnothing .252$ [6.40] CBORE
 X .138 [3.50] DEEP



No. of Pins	Dim. "A"	Dim. "B"	Dim. "C"	Dim. "D"	Dim. "E"	Dim. "F"	Dim. "G"	Dim. "H"
20	1.025 [26.04]	1.454 [36.93]	1.993 [50.62]	1.025 [26.04]	.761 [19.33]	.620 [15.75]	1.256 [31.90]	1.454 [36.93]
28	1.180 [29.97]	1.605 [40.77]	2.207 [56.06]	1.180 [29.97]	.787 [19.99]	.690 [17.53]	1.180 [29.97]	1.520 [38.68]
32	1.180 [29.97]	1.583 [40.21]	2.160 [54.86]	1.180 [29.97]	.725 [18.42]	.690 [17.53]	1.380 [35.05]	1.495 [37.97]
44	1.339 [34.01]	1.772 [45.01]	2.400 [60.96]	1.339 [34.01]	.787 [19.99]	.787 [19.99]	1.339 [34.01]	1.673 [42.49]
52	1.500 [38.10]	1.920 [48.77]	2.596 [65.94]	1.500 [38.10]	.820 [20.83]	.830 [21.08]	1.700 [43.18]	1.821 [46.25]
68	1.654 [42.01]	2.343 [59.51]	3.050 [77.47]	1.654 [42.01]	.926 [23.52]	.906 [23.01]	1.654 [42.01]	2.244 [57.00]
84	1.890 [48.00]	2.580 [65.53]	3.360 [85.34]	1.890 [48.00]	.926 [23.52]	1.063 [27.00]	1.890 [48.00]	2.480 [62.99]



ARIES[®]
 ELECTRONICS, INC.

http://www.arieselec.com • info@arieselec.com

NORTH AMERICA
 Frenchtown, NJ USA
 TEL: (908) 996-6841
 FAX: (908) 996-3891

UK/SCANDINAVIA/IRELAND
 Milton Keynes, GB
 TEL: +44 1908 260007
 FAX: +44 1908 260008

EUROPE (MAINLAND)
 Papendrecht, Holland
 TEL: +31 78 615 94 65
 FAX: +31 78 615 43 11

10006
 REV.A