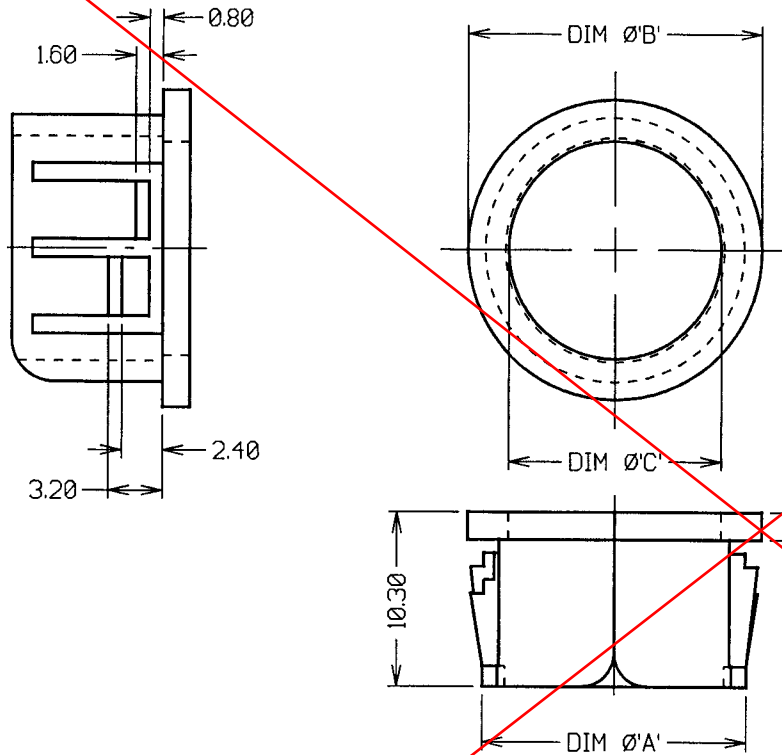


Customer Information Sheet

DRAWING No.: R6590-00 - R6594-00 SHEET 2 OF 2 IF IN DOUBT - ASK © NOT TO SCALE THIRD ANGLE PROJECTION ALL DIMENSIONS IN mm



ORDER CODE:
R659X-00
SIZE CODE
(SEE TABLE)

- NOTES:
1. ALL TOLERANCES $\pm 0.50\text{mm}$ UNLESS OTHERWISE STATED.
 2. RECOMMENDED PANEL THICKNESS = $0.8 - 3.2\text{mm}$.
 3. TEMPERATURE RANGE = -40°C TO $+85^{\circ}\text{C}$.

OBSOLETE

PART No.	MOUNTING HOLE	DIM Ø'A'	DIM Ø'B'	DIM Ø'C'
R6590-00	Ø9.5mm	Ø9.50	Ø10.70	Ø6.70
R6591-00	Ø12.7mm	Ø12.80	Ø14.50	Ø8.50
R6592-00	Ø15.9mm	Ø15.90	Ø17.70	Ø11.50
R6593-00	Ø19.0mm	Ø18.60	Ø21.50	Ø13.10
R6594-00	Ø22.2mm	Ø22.20	Ø23.40	Ø17.00

2	01.02.99	4714
ISS.	DATE	C/NOTE
APPROVED: <i>[Signature]</i>		
CHECKED: <i>[Signature]</i>		
DRAWN: D. BECK		
CUSTOMER REF.:		
ASSEMBLY DRG.:		

HARWIN

HARWIN INC
U.S.A.
TEL: (812) 285 0055
FAX: (812) 285 0056

HARWIN PLC
U.K.
TEL: 01705 370451
FAX: 01705 314590

HARWIN PTE
SINGAPORE
TEL: 65 7794909
FAX: 65 7793868

THIS DRAWING AND ANY INFORMATION OR DESCRIPTIVE MATTER SET OUT HEREON ARE CONFIDENTIAL AND COPYRIGHT PROPERTY OF THE HARWIN GROUP AND MUST NOT BE DISCLOSED, LOANED, COPIED OR USED FOR MANUFACTURING, TENDERING OR FOR ANY OTHER PURPOSE WITHOUT THEIR WRITTEN PERMISSION.

TOLERANCES
X - $\pm 1\text{mm}$
X.X - $\pm 0.25\text{mm}$
X.XX - $\pm 0.10\text{mm}$
X.XXX - $\pm 0.01\text{mm}$
ANGLES - $\pm 1^{\circ}$
UNLESS STATED

MATERIAL:
NYLON 66 BLACK UL94V-2
FINISH: CLEAN
S/AREA: mm²

TITLE:
OPEN/CLOSE
SNAP-FIT BUSH

DRAWING NUMBER:
R6590-00 - R6594-00

SHT
2 OF 2