

SPECIFICATION

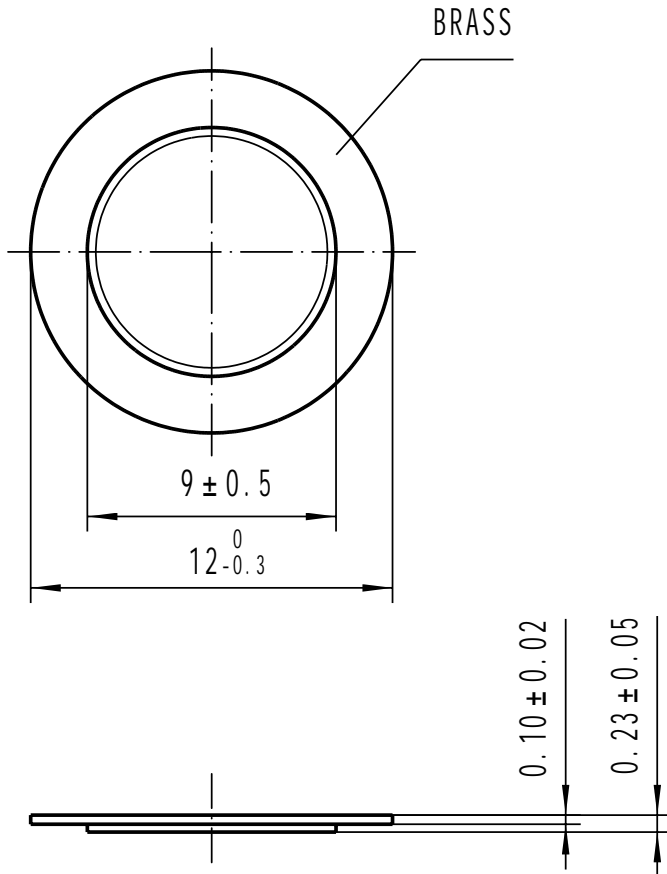
1. SCOPE

This specification is applied to the piezo-element.

2. SPECIFICATION (at 25 °C)

- 2.1 Resonant Frequency : 9.2 ± 1.0 KHz
- 2.2 Resonant Resistance : 550 max
- 2.3 Capacitance : 10000 pF $\pm 30\%$ at 100Hz
- 2.4 Input Voltage : 30 Vp-p max
- 2.5 Operating Temperature : -20 ~ +50
- 2.6 Storage Temperature : -20 ~ +60

3. DIMENSION as per figure

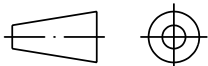


TOLERANCES UNLESS NOTED OTHERWISE

.X ±
.XX ±
.XXX ±

90° FORMED +2°
ANGLES -1°

FIRST ANGLE PROJECTION



	SIGN	DATE	KEPO MODEL NO.	CUSTOMER		
PREP.		01.03.01	MFT-12T-9.2A1	CUSTOMER NO.		
ENG.				DWG NO.		
PROJ.			KP3.840.769	REV	1.0	SHEET
CONTRACT NO.				UNIT:	mm	SCALE
AGENCY APPROVAL			KEPO CO. LTD.		TEL: (+86)574-88370330 FAX: (+86)574-88370329	