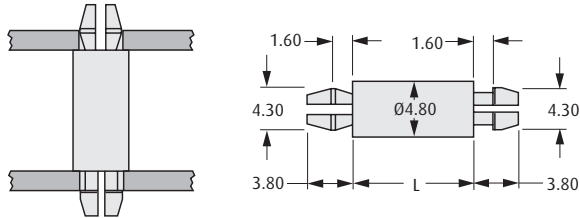


# Spacers

## Locking Spacers

### LOW PROFILE SELF-LOCK SPACERS

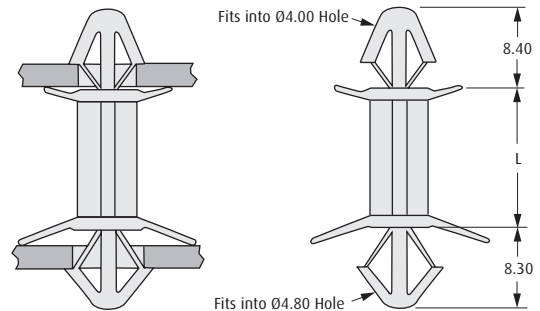
- Material: Nylon 6/6 UL94V-2.
- Spacer design uses minimum board area.
- Suitable for 1.6mm thick pc board.
- Recommended Hole Size Ø4.0mm.



ORDER CODE	L	ORDER CODE	L
R6003-00	3.2	R6009-00	9.5
R6006-00	6.3	R6010-00	10.5
R6008-00	8.0	R6013-00	12.7

### RIGID SELF-LOCK SPACERS

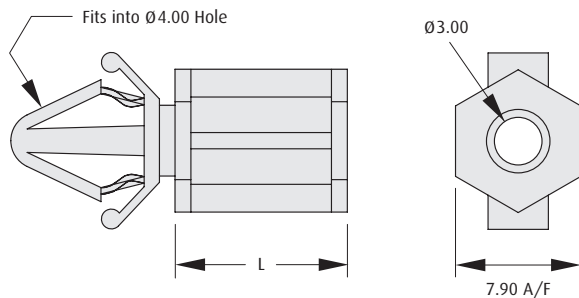
- Material: Nylon 6/6 UL94V-2.
- Spacers have wide ribs with locking fingers to provide a secure, rigid fit with extra stability.



ORDER CODE	L	ORDER CODE	L
R6405-00	4.8	R6419-00	19.1
R6406-00	6.4	R6422-00	22.2
R6410-00	9.6	R6425-00	25.4
R6413-00	12.7	R6428-00	28.5
R6416-00	15.9	R6435-00	35.0

### SELF-LOCK SPACER

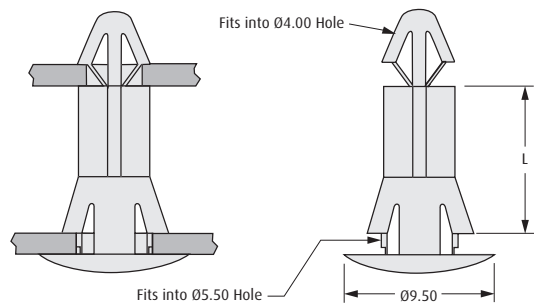
- Material: Nylon 6/6 UL94V-2.
- Fit spacer to underside of upper board, then attach lower board to bottom of spacer with No. 6 (1/8") screw.
- Recommended Hole sizes: Ø4.00mm (upper board), Ø3.00mm (lower board).



ORDER CODE	L	ORDER CODE	L
R6505-00	5.5	R6519-00	19.1
R6510-00	9.5	R6528-00	28.5
R6513-00	12.8	R6535-00	35.0

### REVERSE LOCK SPACERS

- Material: Nylon 6/6 UL94V-2.
- Fit spacers from underside of board.
- Recommended PC Board Thickness 0.5 - 1.8mm.



ORDER CODE	L	ORDER CODE	L
R6706-00	6.0	R6712-00	12.0
R6708-00	8.0	R6714-00	14.0
R6710-00	9.6	R6718-00	18.0

www.harwin.com

All dimensions in mm.



**HARWIN**