



LA(C)5271-11

0.52" SINGLE DIGIT DISPLAY
(STANDARD PIN FUNCTION)

Feature

- * LOW CURRENT REQUIREMENTS
- * EXCELLENT CHARACTER APPERANCE
- * HIGH LIGHT OUTPUT
- * RELIABLE AND RUGGED
- * IC COMPATIBLE

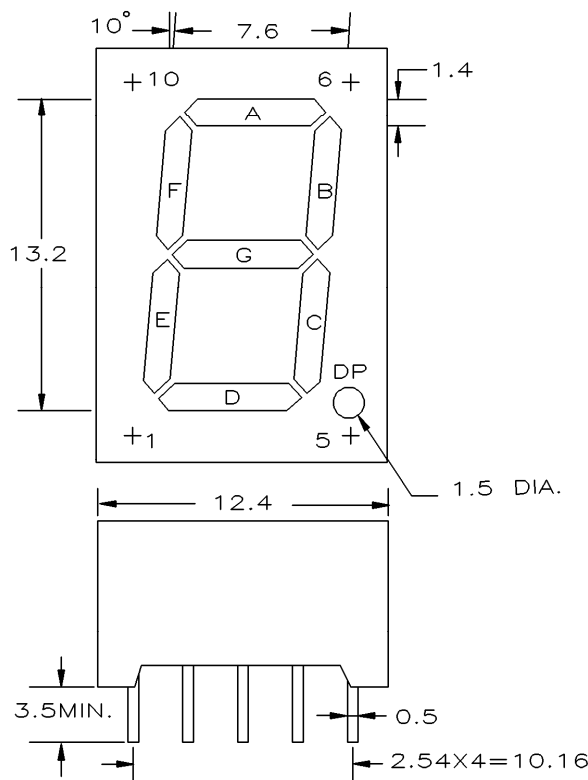
Absolute Maximum Ratings at T_A=25°C

REVERSE VOLTAGE PER LED CHIP (<100μ A)	4.0V
D.C. FORWARD CURRENT PER LED CHIP.....	30 mA
PULSE CURRENT (1/10 DUTY CYCLE,0.1 ms PULSE WIDTH) PER LED CHIP.....	100 mA
OPERATING TEMPERATURE RANGE.....	-25°C TO +85°C
STORAGE TEMPERATURE RANGE.....	-25°C TO +100°C
LEAD SOLDERING TEMP. (1.6mm FROM BODY).....	260°C FOR 5

Electrical/optical characteristics at T_A=25°C

PART NUMBER	LED CHIP	FACE COLOR	PEAK WAVELENGTH @20mA(nm)	FORWARD VOLTAGE @20mA(V)		LUMINOUS INTENSITY @2mA(mcd)				
				TYP.	MAX.	MIN.	TYP.			
LA5271-11EWAK	LC5271-11EWAK	GaAlAs ON GaAs	RED	GREY	WHITE	660	1.7	2.2	8.7	14.5

Package Dimensions And Pin Function



<p>LA5271-11L COMMON ANODE PIN NO. FUNCTION</p> <ol style="list-style-type: none"> 1.CATHODE E 2.CATHODE D 3.COMMON ANODE 4.CATHODE C 5.CATHODE DP 6.CATHODE B 7.CATHODE A 8.COMMON ANODE 9.CATHODE F 10.CATHODE G 	<p>LC5271-11L COMMON CATHODE PIN NO. FUNCTION</p> <ol style="list-style-type: none"> 1.ANODE E 2.ANODE D 3.COMMON CATHODE 4.ANODE C 5.ANODE DP 6.ANODE B 7.ANODE A 8.COMMON CATHODE 9.ANODE F 10.ANODE G
--	--

1.ALL DIMENSIONS ARE IN mm, TOLERANCE IS ±0.25mm UNLESS OTHERWISE NOTED.
2.THE SLOPE ANGLE OF ANY PIN MAY BE ±5.0°MAX.