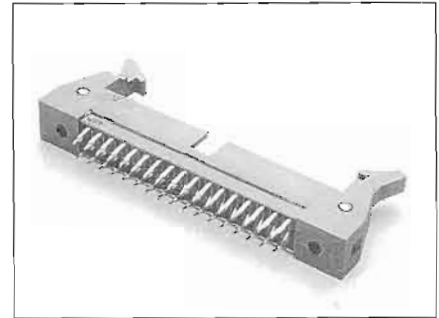


# .100" × .100" (2.54mm × 2.54mm) Center Fully Shrouded Header Assembly

## SCM Series

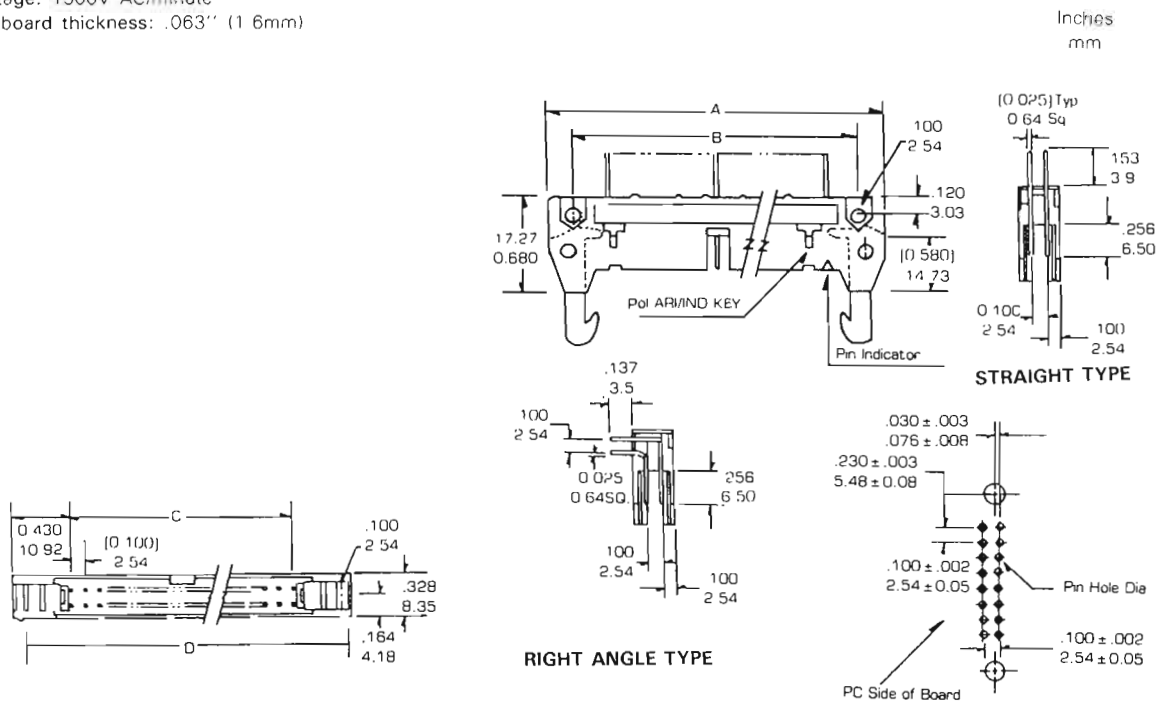
### Features:

- 10-64 Circuits
- PBT + 30% Glass Fiber (UL 94V-0)
- Fully shrouded body provides maximum protection for contact pins
- Snap on polarizing keys
- Dip solder on wire wrap post tails
- Available with long or short lock ejectors
- Available with straight or right angle pins
- Requires no special tooling
- Latch/extractor option



### Specifications:

- Current rating: 3A AC, DC
- Voltage rating: 250V AC, Maximum
- Temperature range: -40°C ~ + 105°C
- Contact resistance: Initial Value/10mΩ max  
After environmental testing/20mΩ max
- Insulation resistance: 1,000 MΩ min
- Withstand Voltage: 1500V AC/minute
- Applicable PC board thickness: .063" (1.6mm)



### Dimensional Information

No. of Circuits	Dim. A ± .014 0.315	Dim. B ± .014 0.25	Dim. C ± .014 0.25	Dim. D ± .014 0.25	No. of Circuits	Dim. A ± .014 0.315	Dim. B ± 0.10 0.25	Dim. C ± 0.10 0.25	Dim. D ± 0.10 0.315
SCM-10-S	1.26	0.86	0.40	1.10	SCM-34-S	2.46	2.06	1.60	2.30
SCM-10-R	32.00	21.84	10.17	2.794	SCM-34-R	62.48	52.32	40.65	58.42
SCM-14-S	1.46	1.06	0.60	1.20	SCM-40-S	2.76	2.36	1.90	2.60
SCM-14-R	37.08	26.82	15.25	38.02	SCM-40-R	70.18	58.84	48.27	68.04
SCM-16-S	1.56	1.16	0.70	1.48	SCM-50-S	3.26	2.86	2.40	3.10
SCM-16-R	39.62	29.46	17.78	35.56	SCM-50-R	82.80	72.64	60.97	78.74
SCM-20-S	1.76	1.36	0.90	1.60	SCM-60-S	3.76	3.36	2.90	3.60
SCM-20-R	44.70	34.54	22.87	40.64	SCM-60-R	95.50	85.34	73.67	91.44
SCM-26-S	2.06	1.66	1.20	1.90	SCM-64-S	3.96	3.56	3.10	3.80
SCM-26-R	52.32	42.16	30.48	48.26	SCM-64-R	100.58	90.42	78.75	96.52

S: STRAIGHT TYPE

R: RIGHT ANGLE TYPE