

PIN Header .100" (2.54mm) Center

PLS Series PLD Series

Features:

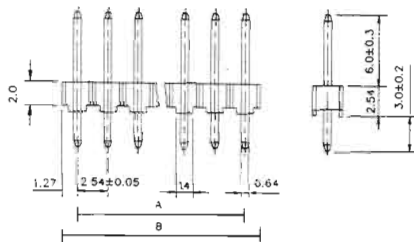
- 0.25" (0.64mm) square wire pins
- PBT + 30% Glass Fiber (UL 94V-0)
- Straight or right angle Pins
- P.C. board and back planes
- Contact Plating Gold Flash

Specifications:

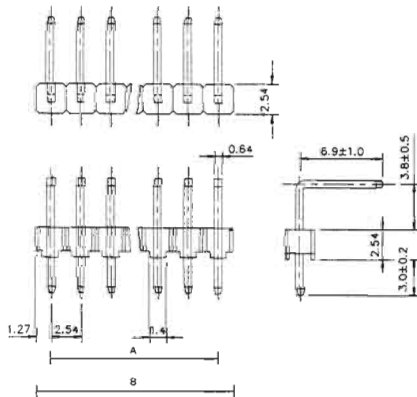
- Current rating: 3A AC, DC
- Voltage rating: 250V AC, Maximum
- Temperature range: -40°C ~ + 105°C
- Contact resistance: Initial Value/10mΩ max. After environmental testing/20mΩ max.
- Insulation resistance: 1,000 MΩ min
- Withstand Voltage: 1500V AC/minute
- Applicable PC board thickness: .063" (1.6mm)

PLS TYPE

SINGLE ROW-STRAIGHT PINS
PLS: 1S, 2S 40S



SINGLE ROW-RIGHT ANGLE PINS
PLS-2R, 3R 40R



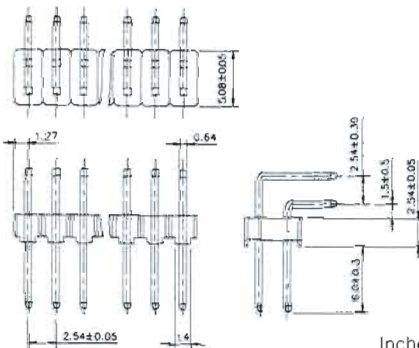
PLD TYPE

DUAL ROW-STRAIGHT PINS
PLD: 2S, 4S 80S



Inches
mm

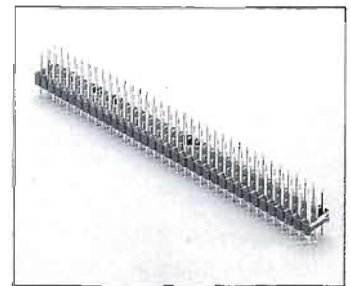
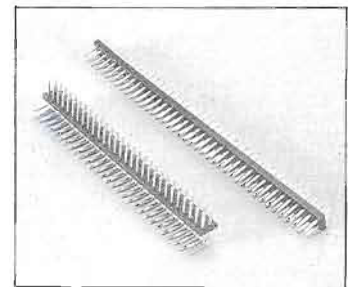
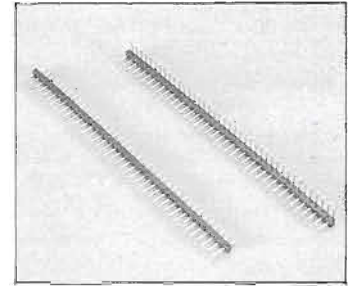
DUAL ROW-RIGHT ANGLE PINS
PLD-2R, 4R 80R



Inches
mm

NO. OF CONTACT:
PLS: 2S, 3S ... 40S
PLS: 2R, 3R ... 40R

PLD: 2S, 4S ... 80S
PLD: 2R, 4R ... 80R



THREE ROW STRAIGHT
PLT-3S, 6S, 9S ... 120S



THREE ROW RIGHT ANGLE
PLT-3R, 6R, 9R ... 120R

TERMINAL STRIPS CAN BE ORDERED WITH ANY NUMBER OF DESIRED POSITION THROUGH 40 (80 FOR DOUBLE ROW 120 FOR THREE ROW) OR UTILIZE INSTANT BREAKAWAY FEATURE TO EASILY SNAP STRIPS TO LENGTH. LESS THAN 40 (80) POSITION ARE MADE AS SPECIAL ORDERS.