

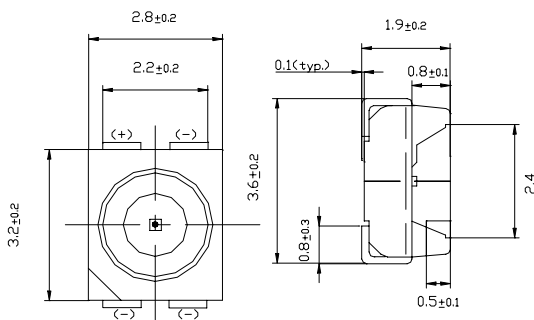
Device Selection Guide

Part Number EOS-	Luminous Intensity Iv(mcd) @ I _F = 30mA		Viewing Angle 2θ _{1/2}	Dominant Wavelength λ _D (nm) @ I _F = 30mA	Forward Voltage V _F (v) @ I _F = 30 mA		I _R (μA) @ V _R = 5V
	Min.	Typ.	Typ.	Typ.	Typ.	Max.	Max.
9ZFQCR0-EG	560	1000	120°	525	3.4	3.95	10

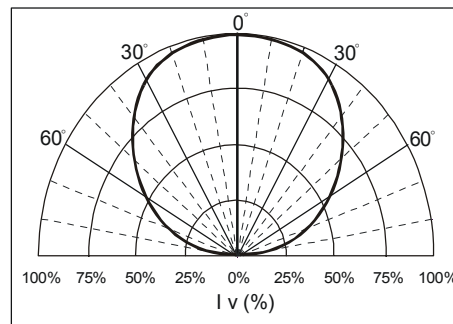
BIN #	5U	4V	5V	4W	5W*
Intensity (mcd) @ I _F =30mA	560-715	715-900	900-1125	1125-1400	1400-1800

Note : [*] Bin with less distribution.

Package Dimensions



Beam Pattern



Note:

- All dimensions are in millimeter.
- Tolerance is ±0.20mm unless otherwise note.
- Specifications are subject to be changed without notice.

Absolute Maximum Ratings at T_A = 25°C

Parameter	Symbol	Maximum Value	USER---APPROVED
Average Forward Current	I _F	30mA	
Peak Forward Current ^[a]	I _{peak}	200mA	
Reverse Voltage	V _R	5V	
Power Dissipation	P _D	118.5mW	
Operating Temperature Range	T _{OPR}	-40°C ~ + 100°C	
Storage Temperature Range	T _{STO}	-40°C ~ + 100°C	
Lead Soldering Temperature	T _{SOL}	260°C / 5 seconds	

Notes: [a] t_p ≤ 10 μs, Duty Cycle = 0.005

Headquarters

5F, No. 1, Creation Road II, Hsinchu Science Park,
Hsinchu, Taiwan 300, R.O.C.
Tel : 886-3-5679000 Fax : 886-3-5679999
http://www.eoi.com.tw E-mail : Service@eoi.com.tw

U.S. Office

1400 W. Lambert Road, Suite B,
Brea, CA92821, U.S.A
Tel : 1-562-694-1246 Fax : 1-562-691-3087
http://www.eoi-us.com E-mail : Sales@eoius.com

