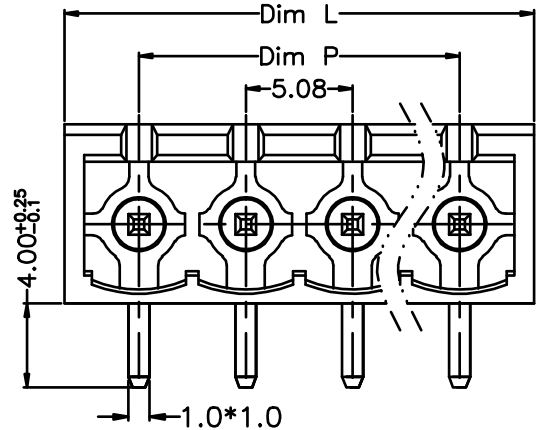
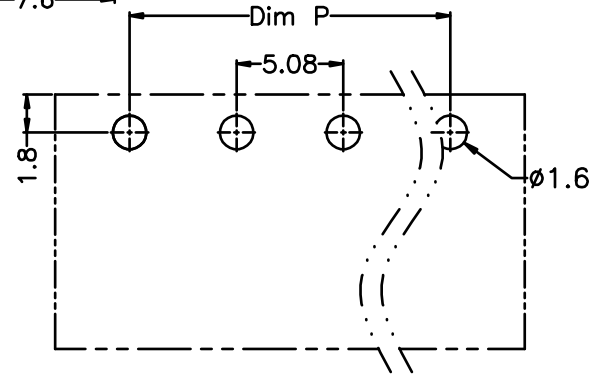
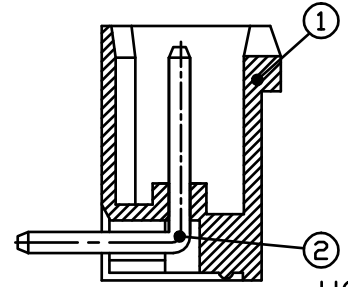
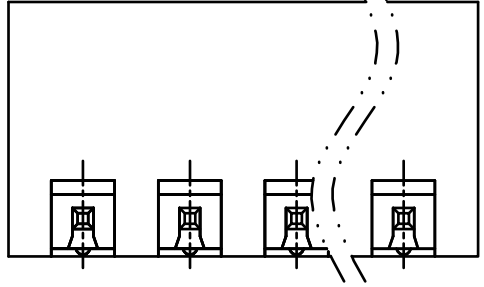
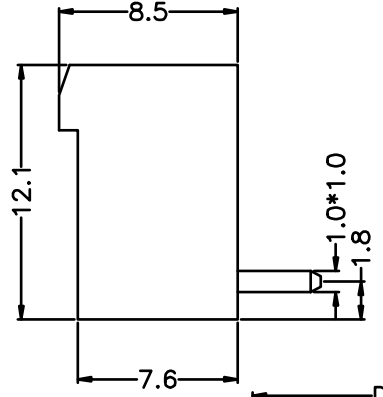


REV.	DESCRIPTION	DATE	DRAWN	APPROVED
A1	DWG.REL	2016/10/7	FANG	YANG



- Material
 - ⊙Housing : PA66, UL94V-0
 - ⊙Pin header : Brass, Tin plated
- Electrical

	UL	IEC
Rated voltage :	300V	320V
Rated current :	15A	20A
Insulation resistance:	500MΩ/DC500V	
Withstanding Voltage :	AC2000V/1min	
- Mechanical
 - Operating temperature: -40℃~+105℃
 - Soldering temperature: 250℃±5/5sec



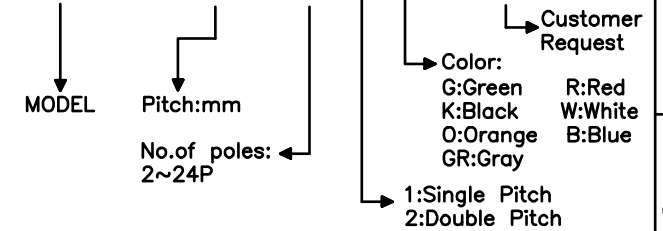
P.C.B.LAYUOT

N=Number of Poles
 Dim P=(N-1)x5.08
 Dim L=Nx5.08+2

Poles	Dim P	Dim L
2-6P	±0.10	±0.15
7-12P	±0.20	±0.20
13-18P	±0.25	±0.30
19-24P	±0.30	±0.40

HOW TO ORDER

KF2EDGCR-X-5.08-XXP-1 X-XXXXX



GENERAL TOLERANCE		ANGLE TOLERANCE	
X.	±0.5	X°	±5°
.X	±0.3	.X°	±3°
.XX	±0.1	.XX°	±1°

PROJECTION	TITLE
	KF2EDGCR-X-5.08-XXP
UNITS	mm
SHEET SIZE	A4
SERIES	KF2EDGCR-X

DRAWING TYPE	CUSTOMER		
SCALE	1:1	SHEET	1 OF 1
DRAWING NO.	XP0012016-xxxx		

DF 慈溪市凯峰电子有限公司
 KAIFENG ELECTRONIC CIXI KAIFENG ELECTRONIC CO.,LTD